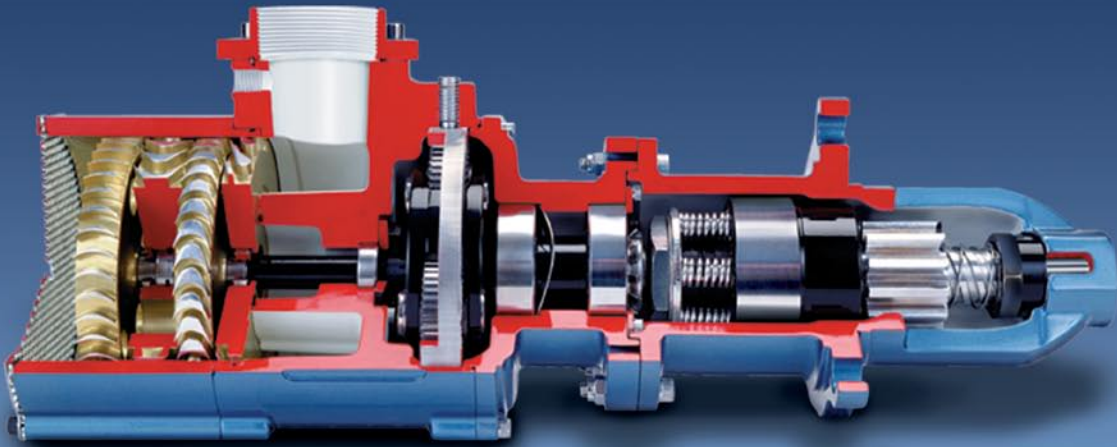


TDI Factory Remanufacturing Program



- 1** Only Genuine *TURBOTWIN™* Parts are used
- 2** Aerospace Quality Manufacturing Process
- 3** Assurance of Original Manufacturing Specs & Tolerances
- 4** Improvements to Current Revision Level of New Starters
- 5** Extend Life of Starters to 10-17 Years
- 6** Starters Designed for Remanufacturability



WHY CERTIFIED FACTORY REMANS MAKE A BIG DIFFERENCE IN LIFE & RELIABLE PERFORMANCE

Don't Get Fooled By A TDI Shell and Unauthorized Parts

Any mechanic can take one of our starters and fill it with new or used components and tell you it's a *TURBOTWIN* Reman. However, unless they're using genuine TDI replacement parts and the proper tooling and techniques developed over the past 32 plus years, it's not going to perform like a *TURBOTWIN*.

Your TDI Distributor is the Only Place to Go

TURBOTWIN starters are an engineered balance of the carefully tested and selected components working together precisely to deliver exacting performance. That's why if you want your *TURBOTWIN* to run like a *TURBOTWIN*, contact your authorized TDI distributor for a certified factory Reman.

They're covered under warranty, refurbished, renewed, and ready for the world's harshest environments.

Why Take Chances?

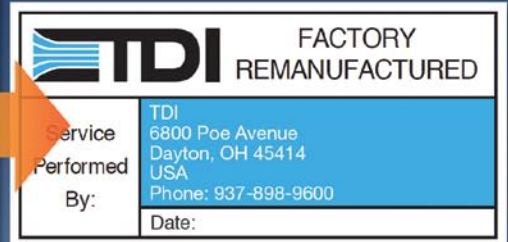
Your remanufactured starter is just as important as the original *TURBOTWIN* put on the engine. So why compromise starter reliability with generic parts that may be out of spec or non-factory-trained workmanship? The best parts put on by expert mechanics just makes sense. After all, your engine availability is riding on it.

TDI
TECH DEVELOPMENT

ANYTHING LESS THAN A *TURBOTWIN™* IS A COMPROMISE

6800 Poe Ave. • Dayton, OH 45414
Tel: 937-898-9600 • Fax: 937-898-8431
www.tdi-turbotwin.com

TDI Certified Factory Starter Remanufacture Program



1

Genuine TURBOTWIN Parts –
Only Genuine TDI TURBOTWIN parts are used to assure maximum performance and reliability. High quality and reliability begin with each part.

2

Aerospace Quality Process –
TDI manufacturing processes meet the stringent demands of the aerospace industry which is the foundation for TDI air starters.

3

Like-New End Product –
Expect a full second life with your TDI factory remanufactured starter. It even includes the same one-year warranty as new starters.

4

Certified Factory Reman Label –
Look for the Certified Factory Reman label on your TDI Air Starter to assure TURBOTWIN reliability and performance. Without a label, it may not be a factory Reman.

FACTORY REMANUFACTURING EXTENDS THE LIFE OF YOUR TURBOTWIN BY ASSURING PROPER MAINTENANCE & QUALITY PARTS

Factory Remans Are All About Engine Availability

Why choose a TDI factory reman? For the same reason you originally chose a TDI TURBOTWIN air starter; it's the reliable starting you need to assure your engine will start in the world's harshest environments. Do you really want to explain why your engine isn't available because you chose a "cut-rate" machine shop to do the remanufacturing?

Genuine Parts Installed by Starter Assembly Professionals

When you use the actual parts designed for the starter, it assures performance, reliability and long life.

When the same people who built the original starter are doing the refurbishing using aerospace-quality manufacturing systems, your remanufactured starter becomes just like a new starter. And yes, it leaves the factory with the same warranty as a new starter.

Safety Can Be An Issue

Anytime you have compressed air/gas moving metal parts at 20,000 rpm in a confined space safety can be an issue, which is why we recommend using Genuine TURBOTWIN Parts and factory-trained technicians. High-speed turbine machinery like a TURBOTWIN Air Starter cannot be treated like the simple mechanical

vane starters you've repaired on your benches for years.

Upgraded to Current Revision

Factory Remanufactured air starters are built to the same revision level as a new starter. All product improvement upgrades are also implemented to a TDI Reman.

Designed for Remanufacturability

The thoughtful engineering built in to every TURBOTWIN Air Starter means that you can expect your original starter can be refurbished three to five times and an expected life span of ten years. TDI starters and components are designed to last – and be rebuilt to last some more.



ANYTHING LESS THAN A TURBOTWIN™ IS A COMPROMISE

6800 Poe Ave. • Dayton, OH 45414
Tel: 937-898-9600 • Fax: 937-898-8431
www.tdi-turbotwin.com

